

REV	DATE	DESCRIPTION	ECO	BY	C'H'K.
H	12/03/2020	UPDATED TABLE DATA	201203002867	JL	TR

FEATURES:

AVAILABLE IN BOTH AN OPEN STYLE AND A FINGER SAFE STYLE

SEE THROUGH COVERS FOR EASY INSTALLATION

ACCOMMODATES BOTH FLEX AND CODE CONDUCTORS

cULus LISTED TO UL1953 (FILE# E74460)

AL9CU RATED

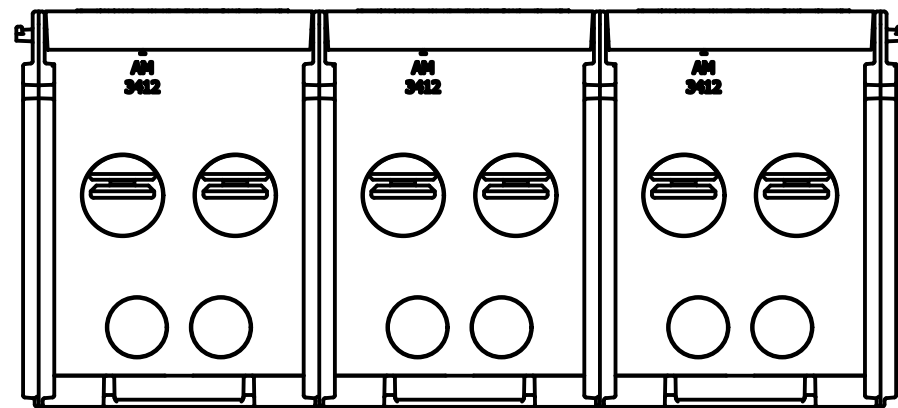
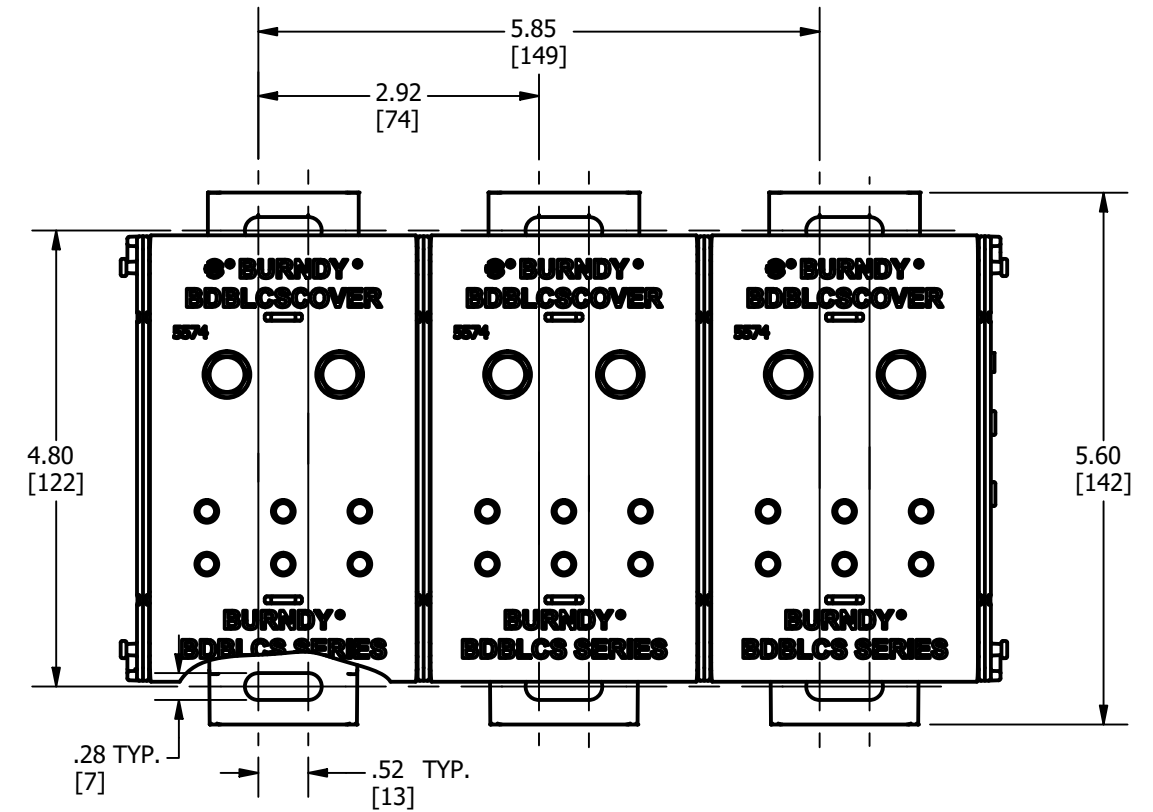
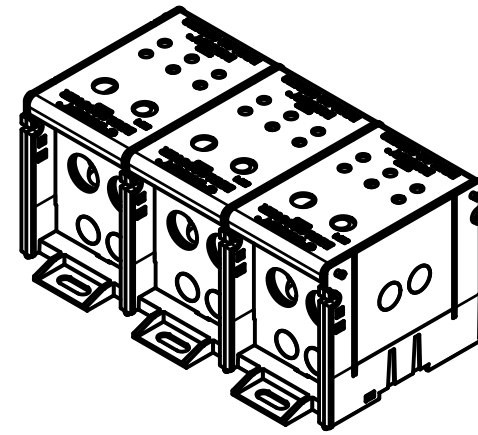
FINGER SAFE STYLES PROVIDE IEC 60529 IP20 PROTECTION

OPTIONAL TOP COVER FOR OPEN STYLE (PART BDBLCSCOVER) FOR ADDED PROTECTION

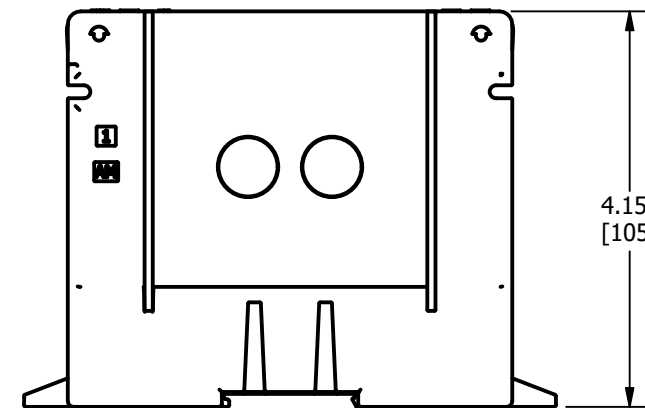
100KA SCCR RATING WITH CORRECT FUSING

600V VOLTAGE RATING

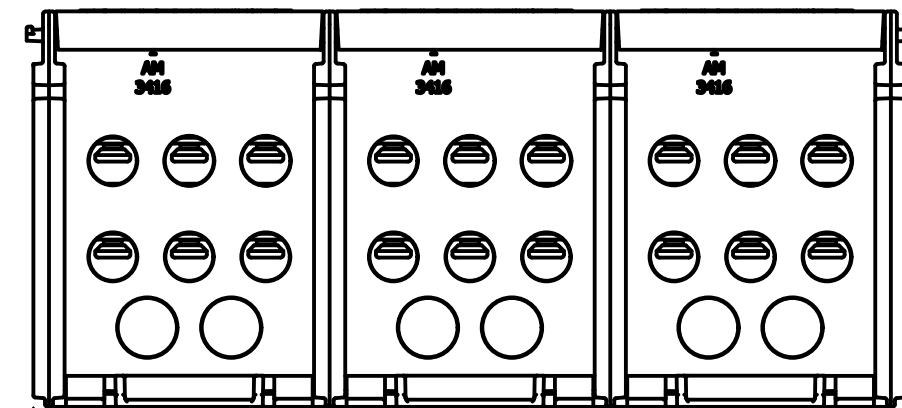
CONTACT CUSTOMER SERVICE FOR ALTERNATE CONFIGURATIONS AT TELEPHONE NUMBER 1 800 346-4175



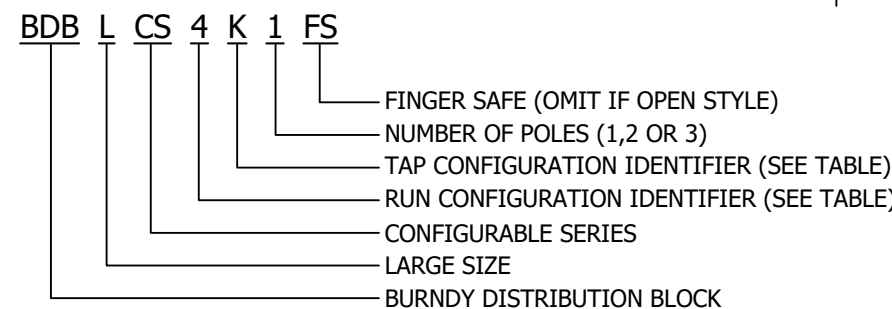
RUN SIDE



FINGER SAFE STYLE



TAP SIDE



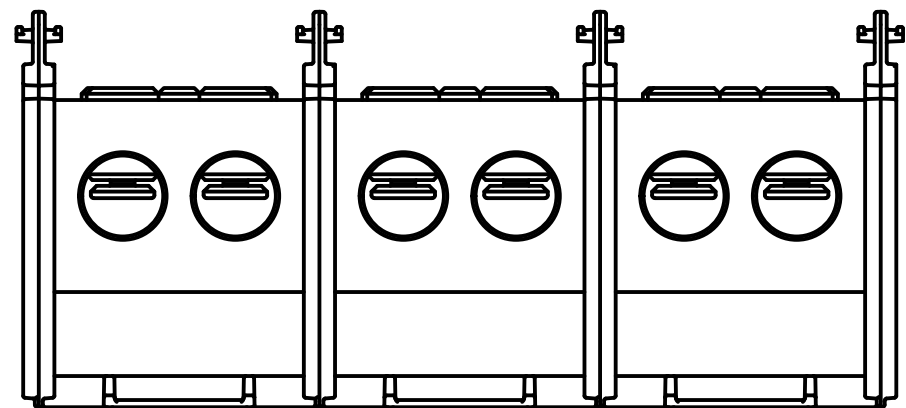
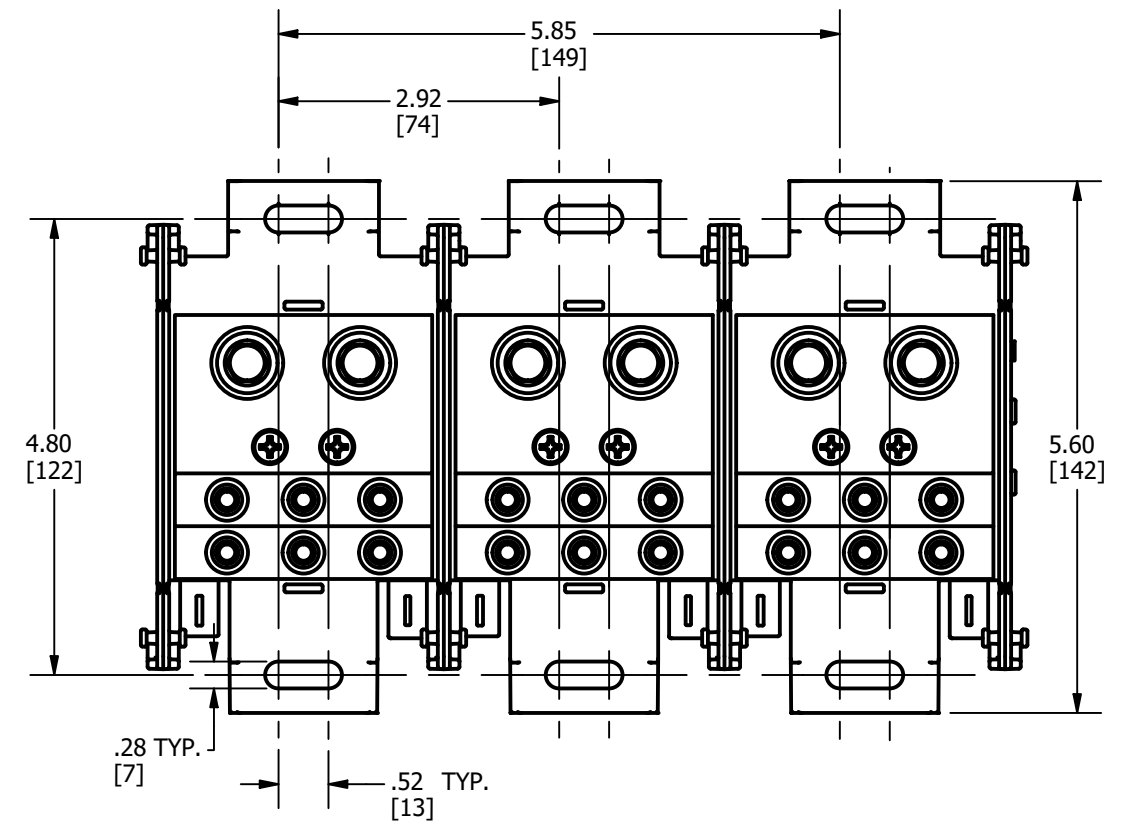
NOTES:

- DIMENSIONS IN BRACKETS [] ARE IN MILLIMETERS ROUNDED OFF TO THE NEAREST MILLIMETER, UNLESS OTHERWISE SPECIFIED AND ARE FOR REFERENCE ONLY.
- MATERIALS: BASE AND POLE SEPERATING SIDES - NYLON 6/6
BLOCK AND RETENTION SCREWS - TIN PLATED ALUMINUM
FINGER SAFE COVERS - POLYCARBONATE
BLOCK MOUNTING HARDWARE - STAINLESS STEEL

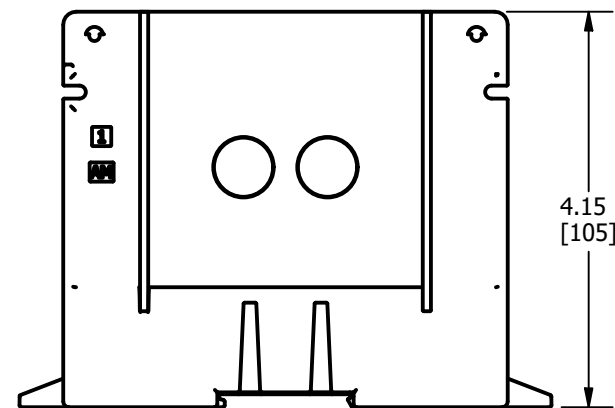
TO ORDER BURNDY® PRODUCTS CALL
 UNITED STATES
 1-800-346-4175 (LONDONDERRY, NH)
 CANADA:
 1-800-361-6975 (QUEBEC)
 1-800-387-6487 (ALL OTHER PROVINCES)
 FOR PRODUCT INFO: <http://www.burndy.com>

LARGE DISTRIBUTION BLOCK	
ITEM NO: SEE TABLE	
CAT. NO: SEE TABLE	
DRAWN BY: T.REYNOLDS 5/6/2015	
CHECKER: T.REYNOLDS 6/10/2015	
DSN APRVL: T.REYNOLDS 6/16/2015	
MFG APRVL: -- 6/14/2015	
QA APRVL: C.LINDQUIST 6/10/2015	
MKT APRVL: M.BAILEY 6/10/2015	
PROD FAM: --	DRAWING NO
PROJECT #: --	50059695
DOCUMENT TYPE: SALES	SIZE
REL LEVEL: Released	B
	REV
	H
	SHEET 1 OF 4

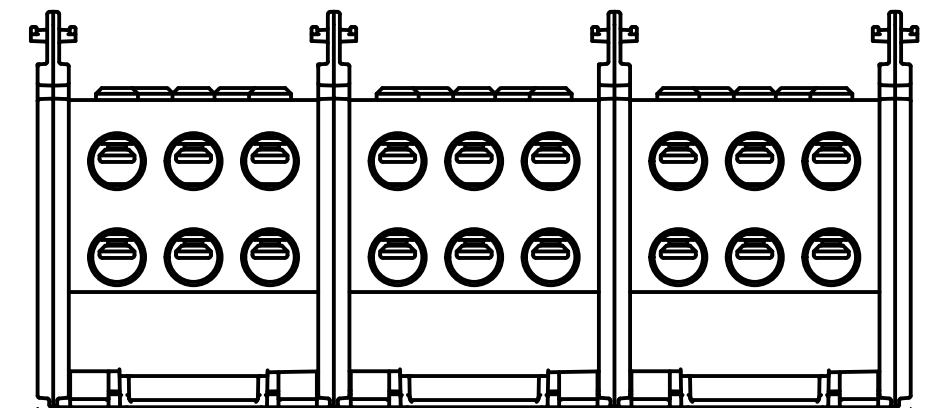




RUN SIDE



OPEN STYLE



TAP SIDE

TO ORDER BURNDY® PRODUCTS CALL

UNITED STATES
1-800-346-4175 (LONDONDERRY, NH)

CANADA:
1-800-361-6975 (QUEBEC)
1-800-387-6487 (ALL OTHER PROVINCES)

FOR PRODUCT INFO: <http://www.burndy.com>

LARGE DISTRIBUTION BLOCK

ITEM NO: SEE TABLE

CAT. NO: SEE TABLE

DRAWN BY:	T.REYNOLDS	5/6/2015
CHECKER:	T.REYNOLDS	6/10/2015
DSN APRVL:	T.REYNOLDS	6/16/2015
MFG APRVL:	--	6/14/2015
QA APRVL:	C.LINDQUIST	6/10/2015
MKT APRVL:	M.BAILEY	6/10/2015



PROD FAM:	--	DRAWING NO	REV
PROJECT #:	--	SIZE	50059695
DOCUMENT TYPE:	SALES	REL LEVEL:	Released
			B
			H

REV	DATE	DESCRIPTION	ECO	BY	C'H'K.
H	12/03/2020	UPDATED TABLE DATA	201203002867	JL	TR


BURNDY LARGE DISTRIBUTION BLOCKS

BLOCKS		BLOCK								AMPACITY		
		RUN				TAP						
OPEN STYLE	FINGER SAFE	HOLE LAYOUT	RANGE	TORQUE in-lbs		HOLE LAYOUT	RANGE	TORQUE in-lbs				
BDBLCS4K1	BDBLCS4K1FS	OO (2)	#6 awg - 350 B, C, H, I, K, DLO, 373 DLO	#6-373	450	OOO (6)	#14 awg - 2/0 B, C, H, I, K, DLO	#14-#6	80	620		
BDBLCS4K2	BDBLCS4K2FS							#4-2/0	120			
BDBLCS4K3	BDBLCS4K3FS											
BDBLCS6R1	BDBLCS6R1FS	OO (2)	#4 awg - 500 B, C, H, I, K, DLO, 535 DLO	#4-4/0	400	OO	#6 awg - 4/0 B, C, H, I, K, DLO	#6-2/0	180	760		
BDBLCS6R2	BDBLCS6R2FS							250-535	600		3/0-4/0	300
BDBLCS6R3	BDBLCS6R3FS											
BDBLCS6V1	BDBLCS6V1FS	OO (2)	#4 awg - 500 B, C, H, I, K, DLO, 535 DLO	#4-4/0	400	OO	#4 awg - 500 B, C, H, I, K, DLO, 535 DLO	#4-4/0	400	760		
BDBLCS6V2	BDBLCS6V2FS							250-535	600		250-535	600
BDBLCS6V3	BDBLCS6V3FS											
BDBLCS4T1	BDBLCS4T1FS	OO (2)	#6 awg - 350 B, C, H, I, K, DLO, 373 DLO	#6-373	450	OO (2)	#6 awg - 350 B, C, H, I, K, DLO, 373 DLO	#6-373	450	620		
BDBLCS4T2	BDBLCS4T2FS											
BDBLCS4T3	BDBLCS4T3FS											
BDBLCS6A1	BDBLCS6A1FS	OO (2)	#4 awg - 500 B, C, H, I, K, DLO, 535 DLO	#4-4/0	400	OOOOOO (12)	#14 awg - #4 awg B, C, H, I, K, DLO	#12-#8 AL	10	760		
BDBLCS6A2	BDBLCS6A2FS							250-535	600		#14-#8 CU	15
BDBLCS6A3	BDBLCS6A3FS										#6-#4	30
BDBLCS5K1	BDBLCS5K1FS	O (1)	#4 awg - 500 B, C, H, I, K, DLO, 535 DLO	#4-4/0	400	OOO (6)	#14 awg - 2/0 B, C, H, I, K, DLO	#14-#4	80	380		
BDBLCS5K2	BDBLCS5K2FS							250-535	600		#2-2/0	120
BDBLCS5K3	BDBLCS5K3FS											
BDBLCS3K1	BDBLCS3K1FS	O (1)	#6 awg - 350 B, C, H, I, K, DLO, 373 DLO	#6-373	450	OOO (6)	#14 awg - 2/0 B, C, H, I, K, DLO	#14-#6	80	310		
BDBLCS3K2	BDBLCS3K2FS							250-535	600		#4-2/0	120
BDBLCS3K3	BDBLCS3K3FS											
BDBLCS5W1	BDBLCS5W1FS	O (1)	#4 awg - 500 B, C, H, I, K, DLO, 535 DLO	#4-4/0	400	O (1)	#4 awg - 500 B, C, H, I, K, DLO, 535 DLO	#4-4/0	400	380		
BDBLCS5W2	BDBLCS5W2FS							250-535	600		250-535	600
BDBLCS5W3	BDBLCS5W3FS											
BDBLCS3A1	BDBLCS3A1FS	O (1)	#6 awg - 350 B, C, H, I, K, DLO, 373 DLO	#6-373	450	OOOOOO (12)	#14 awg - #4 awg B, C, H, I, K, DLO	#12-#8 AL	10	310		
BDBLCS3A2	BDBLCS3A2FS							250-535	600		#14-#8 CU	15
BDBLCS3A3	BDBLCS3A3FS										#6-#4	30
BDBLCS6K1	BDBLCS6K1FS	OO (2)	#4 awg - 500 B, C, H, I, K, DLO, 535 DLO	#4-4/0	400	OOO (6)	#14 awg - 2/0 B, C, H, I, K, DLO	#14-#6	80	760		
BDBLCS6K2	BDBLCS6K2FS							250-535	600		#4-2/0	120
BDBLCS6K3	BDBLCS6K3FS											
BDBLCS8Y1	--	OO (2)	#4 awg - 600 B, C	#4-4/0	400	OO (2)	#4 awg - 600 B, C	#4-4/0	400	840		
BDBLCS8Y2	--							250-535	600		250-535	600
BDBLCS8Y3	--											

RUN SIDE		
DIGIT	HOLE LAYOUT	RANGE
1	O	#14 awg - 2/0
2	OO	#14 awg - 2/0
3	O	#6 awg - 350 kcmil
4	OO	#6 awg - 350 kcmil
5	O	#4 awg - 500 kcmil
6	OO	#4 awg - 500 kcmil
8	OO	#4 awg - 600 kcmil

TAP SIDE		
LETTER	HOLE LAYOUT	RANGE
A	OOOOOO OOOOOO	#14 awg - #4 awg
B	OOO OOO	
C	OO OO	
D	OO	#14 awg - #2 awg
E	O	
F	OOO OOO	
G	OO OO	#14 awg - #2 awg
H	OO	
J	O	
K	OOO OOO	#14 awg - 2/0
M	OO OO	
N	OO	
P	O	#6 awg - 4/0
R	OO OO	
T	OO	
U	O	#6 awg - 350 kcmil
V	OO	
W	O	
Y	OO	600 kcmil

REV	DATE	DESCRIPTION	ECO	BY	C'H'K.
H	12/03/2020	UPDATED TABLE DATA	201203002867	JL	TR

TO ORDER BURNDY® PRODUCTS CALL UNITED STATES 1-800-346-4175 (LONDONDERRY, NH) CANADA: 1-800-361-6975 (QUEBEC) 1-800-387-6487 (ALL OTHER PROVINCES) FOR PRODUCT INFO: http://www.burndy.com	LARGE DISTRIBUTION BLOCK			
	ITEM NO: SEE TABLE			
	CAT. NO: SEE TABLE			
	DRAWN BY: T.REYNOLDS	5/6/2015		
	CHECKER: T.REYNOLDS	6/10/2015		
	DSN APRVL: T.REYNOLDS	6/16/2015		
	MFG APRVL: --	6/14/2015		
	QA APRVL: C.LINDQUIST	6/10/2015		
	MKT APRVL: M.BAILEY	6/10/2015	PROJ. NO: --	
	PROJ. NO: --	SIZE	DRAWING NO	REV
DOCUMENT TYPE: SALES	B	50059695	H	
REL LEVEL: Released		SHEET 3 OF 4		

SCCR FUSE VALUES								
OPEN STYLE	FINGER SAFE	J	T	RK1	RK5	G	CC	L
BDBLCS3K1	BDBLCS3K1FS	200	200	100	30	60	30	200
BDBLCS3K2	BDBLCS3K2FS	200	200	100	30	60	30	200
BDBLCS3K3	BDBLCS3K3FS	200	200	100	30	60	30	200
BDBLCS5K1	BDBLCS5K1FS	200	200	100	30	60	30	200
BDBLCS5K2	BDBLCS5K2FS	200	200	100	30	60	30	200
BDBLCS5K3	BDBLCS5K3FS	200	200	100	30	60	30	200
BDBLCS4T1	BDBLCS4T1FS	200	200	100	30	60	30	200
BDBLCS4T2	BDBLCS4T2FS	200	200	100	30	60	30	200
BDBLCS4T3	BDBLCS4T3FS	200	200	100	30	60	30	200
BDBLCS6V1	BDBLCS6V1FS	400	400	200	100	60	30	400
BDBLCS6V2	BDBLCS6V2FS	400	400	200	100	60	30	400
BDBLCS6V3	BDBLCS6V3FS	400	400	200	100	60	30	400
BDBLCS4K1	BDBLCS4K1FS	200	200	100	30	60	30	200
BDBLCS4K2	BDBLCS4K2FS	200	200	100	30	60	30	200
BDBLCS4K3	BDBLCS4K3FS	200	200	100	30	60	30	200
BDBLCS6K1	BDBLCS6K1FS	200	200	100	30	60	30	200
BDBLCS6K2	BDBLCS6K2FS	200	200	100	30	60	30	200
BDBLCS6K3	BDBLCS6K3FS	200	200	100	30	60	30	200
BDBLCS3A1	BDBLCS3A1FS	200	200	100	30	60	30	200
BDBLCS3A2	BDBLCS3A2FS	200	200	100	30	60	30	200
BDBLCS3A3	BDBLCS3A3FS	200	200	100	30	60	30	200
BDBLCS6A1	BDBLCS6A1FS	200	200	100	30	60	30	200
BDBLCS6A2	BDBLCS6A2FS	200	200	100	30	60	30	200
BDBLCS6A3	BDBLCS6A3FS	200	200	100	30	60	30	200
BDBLCS5W1	BDBLCS5W1FS	400	400	200	100	60	30	400
BDBLCS5W2	BDBLCS5W2FS	400	400	200	100	60	30	400
BDBLCS5W3	BDBLCS5W3FS	400	400	200	100	60	30	400
BDBLCS6R1	BDBLCS6R1FS	400	400	200	100	60	30	400
BDBLCS6R2	BDBLCS6R2FS	400	400	200	100	60	30	400
BDBLCS6R3	BDBLCS6R3FS	400	400	200	100	60	30	400
BDBLCS8Y1	--	400	400	200	100	60	30	400
BDBLCS8Y2	--	400	400	200	100	60	30	400
BDBLCS8Y3	--	400	400	200	100	60	30	400

REV	DATE	DESCRIPTION	ECO	BY	C'H'K.
H	12/03/2020	UPDATED TABLE DATA	201203002867	JL	TR

TO ORDER BURNDY® PRODUCTS CALL UNITED STATES 1-800-346-4175 (LONDONDERRY, NH) CANADA: 1-800-361-6975 (QUEBEC) 1-800-387-6487 (ALL OTHER PROVINCES) FOR PRODUCT INFO: http://www.burndy.com	LARGE DISTRIBUTION BLOCK		
	ITEM NO: SEE TABLE		
	CAT. NO: SEE TABLE		
	DRAWN BY: T.REYNOLDS	5/6/2015	
	CHECKER: T.REYNOLDS	6/10/2015	
	DSN APRVL: T.REYNOLDS	6/16/2015	
	MFG APRVL: --	6/14/2015	
	QA APRVL: C.LINDQUIST	6/10/2015	
	MKT APRVL: M.BAILEY	6/10/2015	
	PROD FAM: --	DRAWING NO	REV
PROJECT #: --	SIZE	50059695	
DOCUMENT TYPE: SALES	B	H	
REL LEVEL: Released	SHEET 4 OF 4		